

# SKYLINE LED



## SKYLINE LED

An extruded aluminium lighting systems incorporating LED technology available in a range of modular sizes or bespoke systems.

## Catalogue References

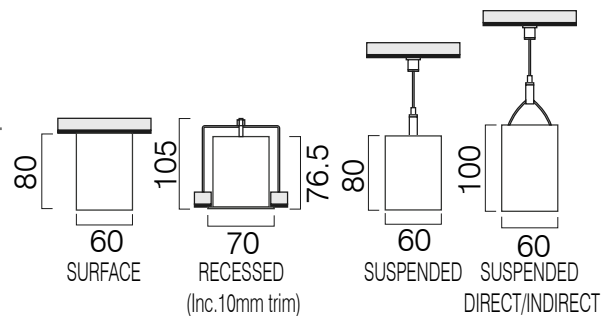
Modular luminaires supplied in one-piece extrusion ranging in lengths from 590mm to 3680mm for bespoke systems please contact our sales office for design and quotation.

## Product Specification & Features

Extruded aluminium housing and gear tray  
 Gear tray held into position via side clips and secured via retention cords for ease of installation  
 LED colour temperatures 3000K or 4000K  
 Available in surface, recessed, suspended or suspended direct/indirect  
 Natural anodised or powder coat fine tex  
 White RAL 9010 Black RAL 9005 Grey RAL 9006  
 Other RAL finishes available on request  
 Anti- Touch cover  
 Long life time of 50,000 hours  
 Tridonic LED modules c/w 5 year warranty



## Technical Drawing



## Options suffix

DSI	Dimming
DALI	Dimming
SWITCH-DIM	Dimming
M3	Integrated Emergency
HEOD	High Efficiency Opal Diffuser
CMPD	Clear Micro Prismatic Diffuser

**ARCHITECTURAL**

**egh** LIGHTING